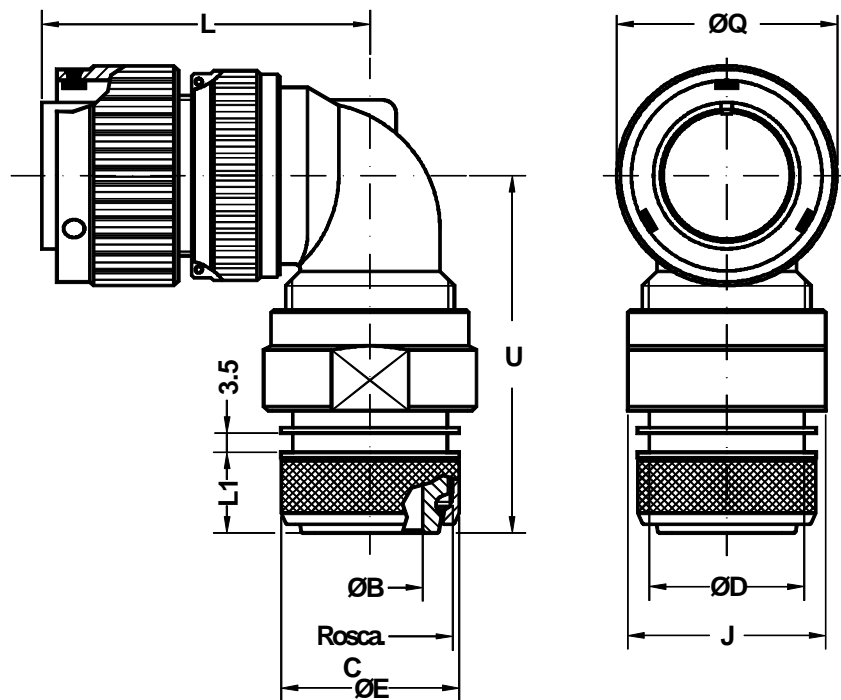


**Conector aéreo acodado
90° plug**



Ej. / Ex. : SCPB3108SP20-27P

Dimensiones del conector Shell size	ØB min.	Rosca C C thread	ØD ±0.1	ØE ±0.2	LL. J J key	L Max.	L1 ±0.1	ØQ ±0.2	U Max.
10 SL	8.6	M16 x 1	13.0	18.5	20	40	13.5	22.6	53.0
14 S	10.7	M20 x 1	16.5	22.3	23	42	13.5	29.0	54.5
16 S	13.9	M23 x 1	21.5	25.3	26	46	14.6	31.6	55.0
16	13.9	M23 x 1	21.5	25.3	26	55	14.6	31.6	57.0
18	15.0	M26 x 1	21.7	28.0	28	57	14.6	36.2	60.0
20	18.8	M30 x 1	26.0	32.3	32	62	14.6	39.8	63.0
22	22.8	M32 x 1	26.0	34.3	36	62	14.6	43.0	63.0
24	25.4	M36 x 1	34.5	38.3	39	67	14.6	46.4	68.0
28	28.3	M39 x 1	34.5	41.2	46	67	14.6	53.0	69.0
32	35.0	M45 x 1	43.6	48.3	52	72	14.6	60.0	76.5
36	40.5	M52 x 1	43.6	55.0	58	75	15.5	66.2	78.5
40	48.0	M59 x 1	52.6	62.0	65	78	15.5	72.3	83.0

Conector aéreo con salida acodada a 90°.
Incluye zócalo estanco (grommet) y adaptador
inspeccionable para terminación de pantalla y
bota termorretráctil .

Plug complete with a 90° backshell.
Includes wire sealing grommet and backshell
with rotating clamp nut.
Shielded cable is terminated with a "braid
trap" nut and heat shrink tubing .